

**PLEASE CHECK WWW.MOLEX.COM FOR LATEST PART INFORMATION**

**Part Number:** [0190710193](#)  
**Status:** **Active**  
**Description:** InsulKrimp™ Ring Tongue Terminal for 6 AWG Wire

**Documents:**

[Drawing \(PDF\)](#) [RoHS Certificate of Compliance \(PDF\)](#)  
[Product Specification PS-19902-009 \(PDF\)](#)

**General**

Product Family	Ring and Spade Terminals
Series	<a href="#">19071</a>
Crimp Quality Equipment	Yes
Mil-Spec	N/A
Product Name	InsulKrimp™
Type	Ring

**Physical**

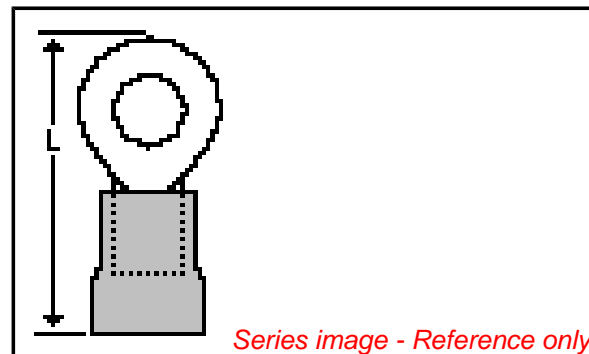
Barrel Type	Closed
Color - Resin	Natural
Insulation	PVC
Material - Plating Mating	Tin
Packaging Type	Bag
Stud Size	3/8" (M9)
Wire Insulation Diameter	11.20mm (.440") max.
Wire Size AWG	6

**Material Info**

Old Part Number	E-657-38X
-----------------	-----------

**Reference - Drawing Numbers**

Product Specification	PS-19902-009
Sales Drawing	SD-19071-013



**EU RoHS**

**ELV and RoHS Compliant**  
**REACH SVHC**  
 Not Reviewed  
**Halogen-Free Status**  
 Not Reviewed

**China RoHS**



**Need more information on product environmental compliance?**

Email [productcompliance@molex.com](mailto:productcompliance@molex.com)  
 For a multiple part number RoHS Certificate of Compliance, [click here](#)

Please visit the [Contact Us](#) section for any non-product compliance questions.

**Search Parts in this Series**

[19071Series](#)

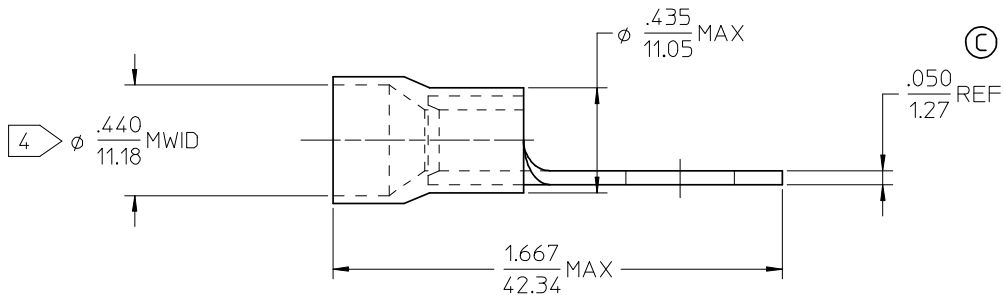
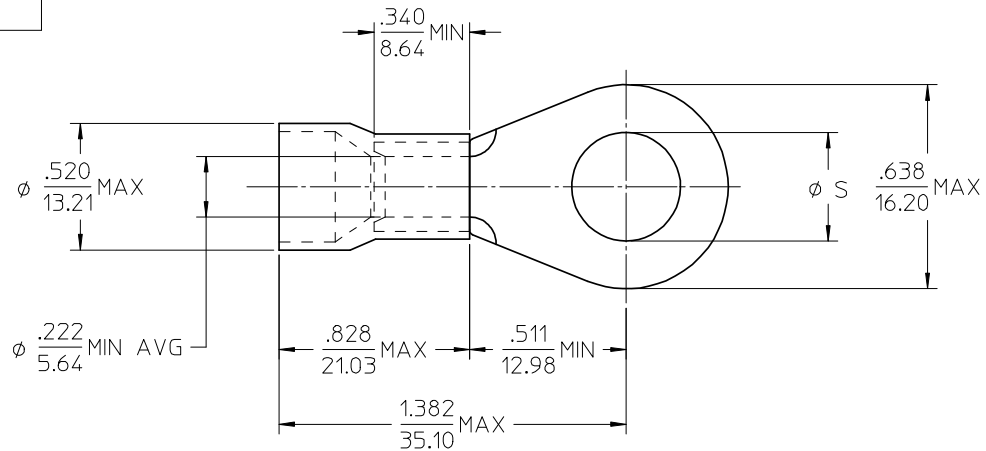
**Application Tooling | [FAQ](#)**

*Tooling specifications and manuals are found by selecting the products below. Crimp Height Specifications are then contained in the Application Tooling Specification document.*

**Global**

Description	Product #
Manual Putt Pump Hydraulic System, Die set required	<a href="#">0192860117</a>
Die Set (large) for the HHLS Hydraulic Crimper	<a href="#">0192890004</a>
Hand Crimp Tool	<a href="#">0640013900</a>
Putt Pump Dieless Head System	<a href="#">0192860065</a>

10	9	8	7	6	5	4	3	2	1
MATERIAL NO.	ENG. NO.	STUD SIZE	$\phi S \pm .005$						
190710185	E-657-08X	8	.173						
190710188	E-657-10X	10	.198						
190710190	E-657-14X	1/4	.256						
190710193	E-657-38X	3/8	.390						
190710196	E-657-56X	5/16	.328						



NOTE(S):

1. TERMINAL MATERIAL: COPPER ALLOY.
2. TERMINAL FINISH: ELECTRO TIN PLATE.
3. INSULATION MATERIAL: PVC, COLOR CODED BLUE.
4. MWID = MAXIMUM WIRE INSULATION DIAMETER.
5. ALL COMPONENTS ARE ROHS COMPLIANT.

REDWN & RDC MATL THKNS EC NO: ETC2007-0158 DRW: EHILE CHKD: JMACNEIL APPR: JMACNEIL	2006/10/20 2006/10/20 2006/10/20	DESCRIPTION REV	QUALITY SYMBOLS	GENERAL TOLERANCES (UNLESS SPECIFIED)	DIMENSION STYLE	SCALE	DESIGN UNITS	THIRD ANGLE PROJECTION
			$\nabla=0$	mm INCH	IN/MM	4:1	INCH	RING TONGUE TERMINAL INSULKRIMP, 657 SERIES 6 AWG MOLEX INCORPORATED
			$\nabla=0$	4 PLACES ± --- ± ---	DRAWN BY DATE	MATERIAL NO. SEE CHART DOCUMENT NO. SD-19071-013 SHEET NO. 1 OF 1		
				3 PLACES ± --- ± ---	CHECKED BY DATE			
	2 PLACES ± --- ± ---	APPROVED BY DATE						
	1 PLACE ± --- ± ---	JMACNEIL 2006/10/10						
		ANGULAR ± --- °	DRAFT WHERE APPLICABLE MUST REMAIN WITHIN DIMENSIONS	THIS DRAWING CONTAINS INFORMATION THAT IS PROPRIETARY TO MOLEX INCORPORATED AND SHOULD NOT BE USED WITHOUT WRITTEN PERMISSION				